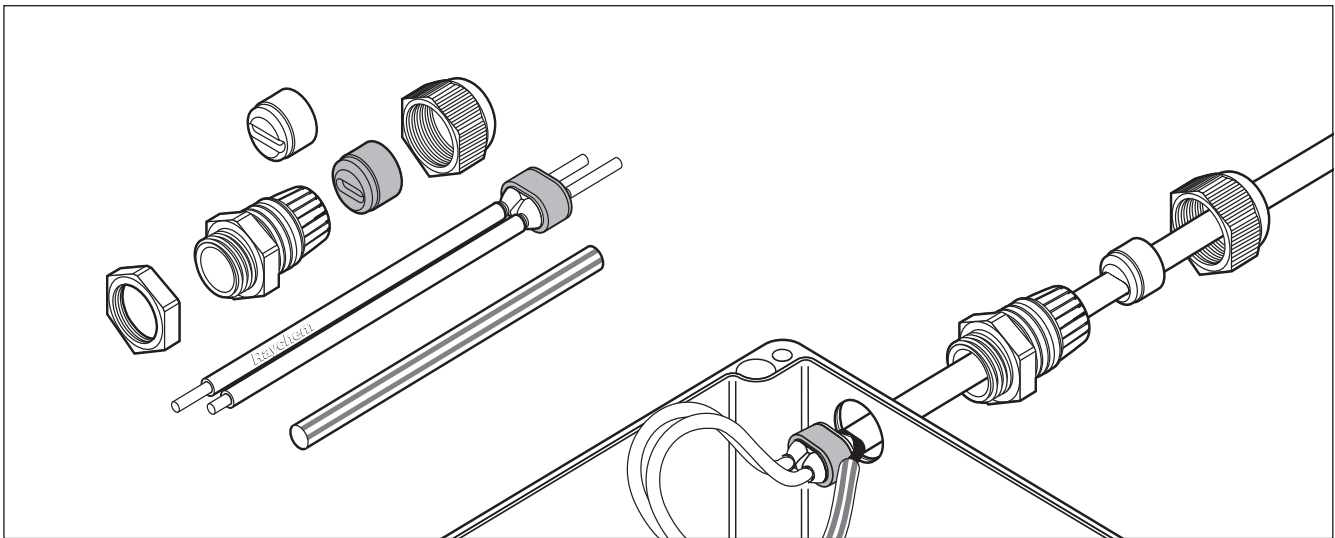



 **Cold applied connection kit**

These connection kits are designed for terminating all BTV, QTVR, XTV and KTV self-regulating heating cables to a junction box, whilst maintaining electrical insulation of the heating cable conductors and self-regulating core.

They are approved by PTB and BASEEFA for use in hazardous areas. The core sealing boot does not require a heat gun or torch for the installation (no hot work permit necessary). The non-curing sealant (silicone free) allows easy installation and facilitates maintenance purposes.

Two grommets supplied in these kits enable the gland to maintain optimum sealing under various ambient conditions. The C25-100 is designed for use with M25 entries, the C16-100 for Pg 16 entries. An additional locknut is provided for unthreaded entries.



Application	Connection kit for BTV, QTVR, XTV, KTV and VPL heating cables.	
Kit contents	1 gland, 2 grommets, 1 locknut, 1 core sealer, 1 green/yellow tube, 1 installation instruction (multilingual)	
Approvals	 EEx e II by PTB according to EN 50 014, 50 019 PTB 98 ATEX 1015 U DNV Certificate No. E-5121 and E-5122	
Product specification	C16-100	C25-100
Area classification	Hazardous, Zone 1 and 2	Hazardous, Zone 1 and 2
Type	cold applied	cold applied
Thread size	Pg16	M25 x 1.5
Min. ambient temperature	-30°C*	-55°C
Max. exposure temperature (gland)	110°C	110°C
Ordering details	C16-100	C25-100
Part description	C16-100	C25-100
RPN (& Weight)	855214-000 (70 g)	263012-000 (70 g)

* Impact max. 4 Joule at -30°C