

Surface sensing Programmable thermostat with alarm relay

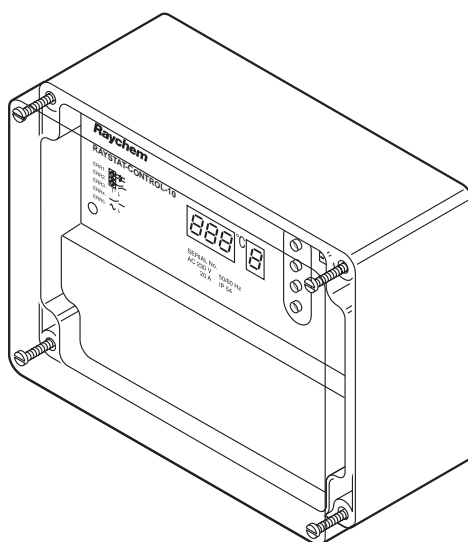
The RAYSTAT-CONTROL-10 surface sensing thermostat is designed to provide user friendly measurement and control for all approved heating cables. The thermostat has a 25 A control relay (that can be arranged to be volt free) and a 2 A volt free SPDT alarm relay.

Parameter and eventual alarm conditions

are shown on the digital display and settings can be programmed easily, even without power supply.

The CONTROL-10 thermostat is supplied with a Pt100 sensor and a 3 m long silicone extension cable giving freedom to locate the electronics remote from the sensor.

Two M25 entries allow for the power cable and heating cable to be connected directly into the unit. The units can be mounted on the pipe using the SB-100 or SB-101 support bracket.



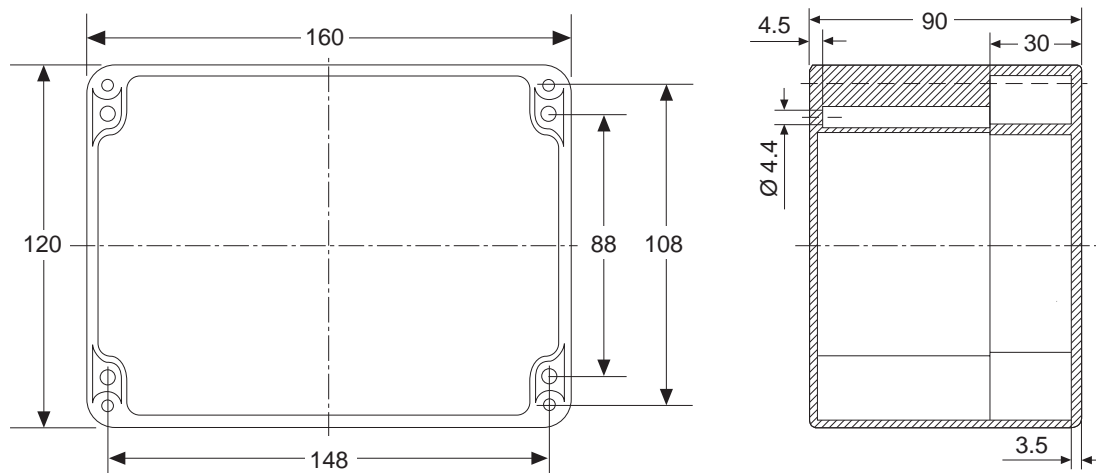
General

Application	Surface sensing
Area of use	Non-hazardous area (indoors, outdoors) Sensing in zone 1 or zone 2 possible with MONI-PT100-EXE (seperately available)
Ambient operating temperature range	-40°C to +40°C
Supply voltage (nominal)	230 Vac, +10% -10%, 50/60 Hz
Internal power consumption	≤ 14 VA

Enclosure

Protection	IP65
Base and lid	Grey polycarbonate base Transparent lid
Lid fixing	4 captive screws
Entries	2 x M25, 1 x M20, 1 x M16 Direct entry of heating cable into unit with M25 connection kit
Gland plug	1 x M20

Dimensions (in mm)



Temperature sensor

Type 3-wire Pt 100 according to IEC Class B

Area of use Non-hazardous area

Sensor can be extended with a 3-wire shielded cable of 20 Ω max. per conductor (max. 150 m with a 3 x 1.5 mm² cable). Sensing in hazardous area zone 1 or zone 2 can be done with MONI-PT100-EXE.

Output parameters

Number of output relays One control relay, one alarm relay

Control relay Single pole single throw relay, rating: 25A at 250 Vac

Alarm relay Single pole double throw relay, rating: 2 A at 250 Vac, voltfree

Programmable parameter settings

Temperature setting 0°C to +150°C

Hysteresis 1K to 5K

Low Temperature Alarm -40°C to +148°C

High Temperature Alarm +2°C to +150°C or switched OFF

Heater Operation if Sensor Error ON or OFF

Volt Free Operation YES or NO

Parameters can be programmed without power supply (internal battery) and parameters are stored in non-volatile memory.

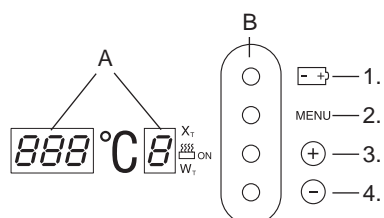
Diagnosed alarms

Sensor errors Sensor short / Sensor open circuit

Low temperature High temperature/low temperature

Voltage errors Low supply voltage / Output voltage fault

Display layout

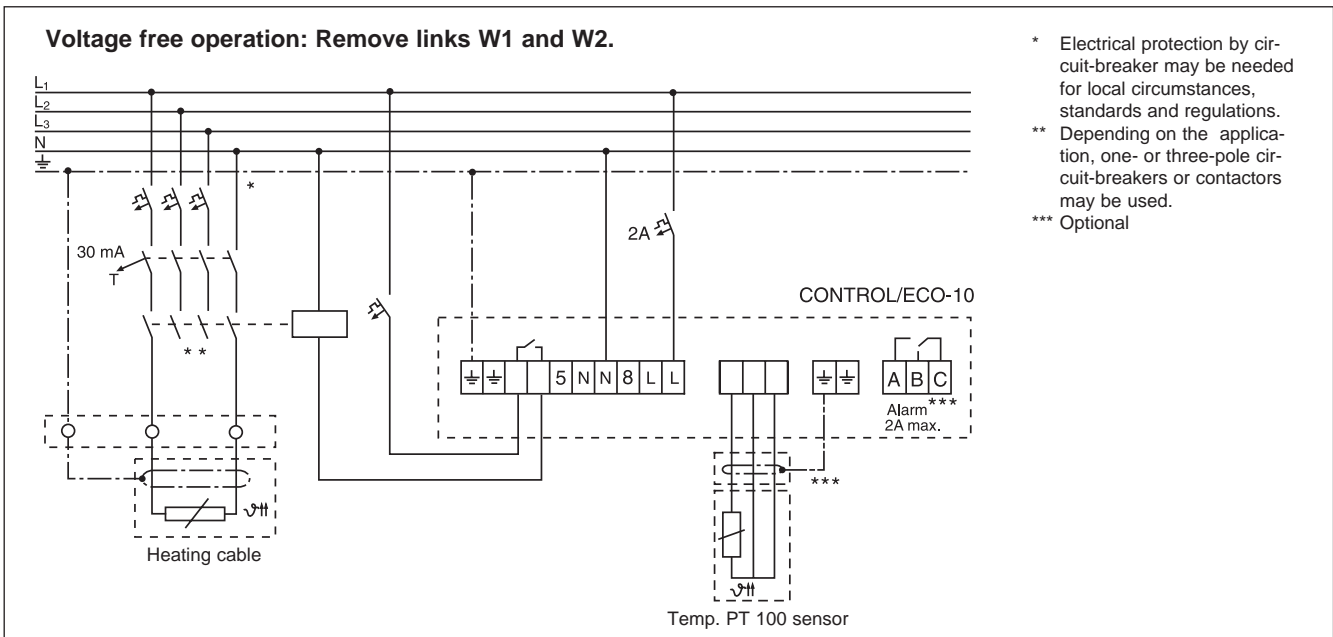
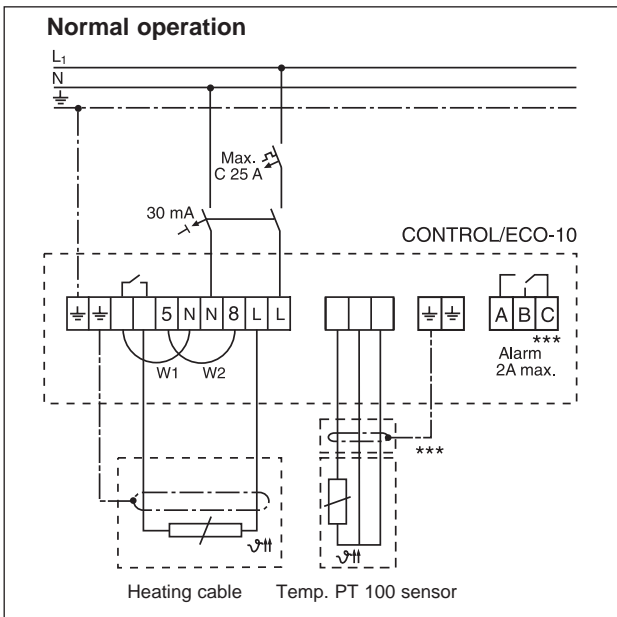


A. LED Display (parameter and error indications)

B. Push buttons

1. Battery activation
2. Parameter selection
3. Increase value
4. Decrease value

Connection details



- * Electrical protection by circuit-breaker may be needed for local circumstances, standards and regulations.
- ** Depending on the application, one- or three-pole circuit-breakers or contactors may be used.
- *** Optional

Connection terminals

Supply	3 terminals for 0,75 mm ² to 4 mm ²
Pt 100 connection	4 terminals for 0,75 mm ² to 2,5 mm ²
Control relay connection	3 terminals for 0,75 mm ² to 4 mm ²
Alarm relay connection	3 terminals for 0,75 mm ² to 2,5 mm ²

Mounting method	Surface mounting with 4 fixing holes on 148 x 108 mm centres, M4 clearance
------------------------	--

Ordering details

Part description	CONTROL-10
RPN (& Weight)	828810-000 (800 g)

Accessoires

PA Reducer	Reducer-M25/M20-PA M25 male/M20 female	Reducer-M25/M20-PA M25 male/M20 female
RPN	184856-000	184856-000