

 Junction box for modular system

The JBU-100 kit is designed to connect power to up to three BTV, QTVR, XTV, KTV or VPL industrial parallel heating cable and is approved by PTB for use in hazardous locations.

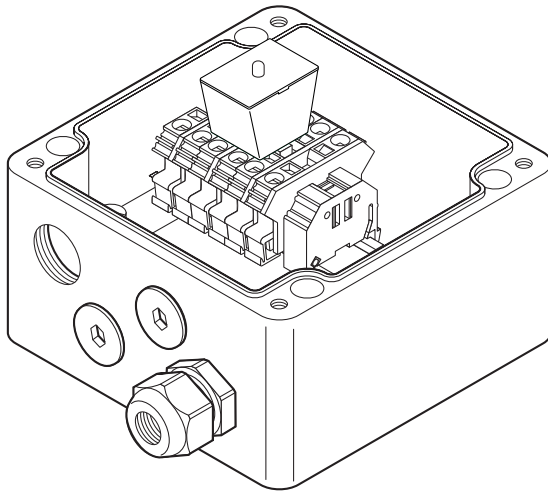
Innovative CAGE CLAMP® terminals from WAGO provide fast installation and safe, reliable, maintenance-free operation.

The box is part of the modular component system, it allows for maximum flexibility and can be either wall or pipe mounted.

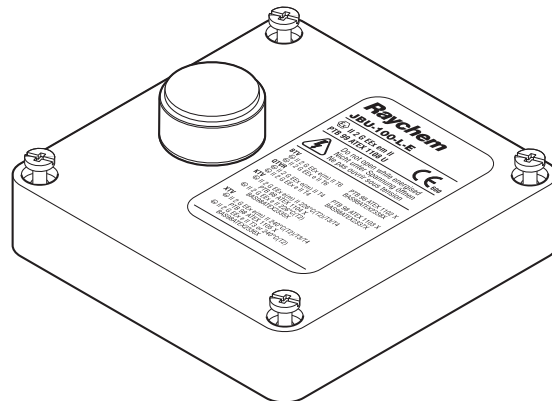
Connection kits (M25) and insulation entry kits have to be ordered separately.



The box is offered in two basic versions customised to local installation practices.

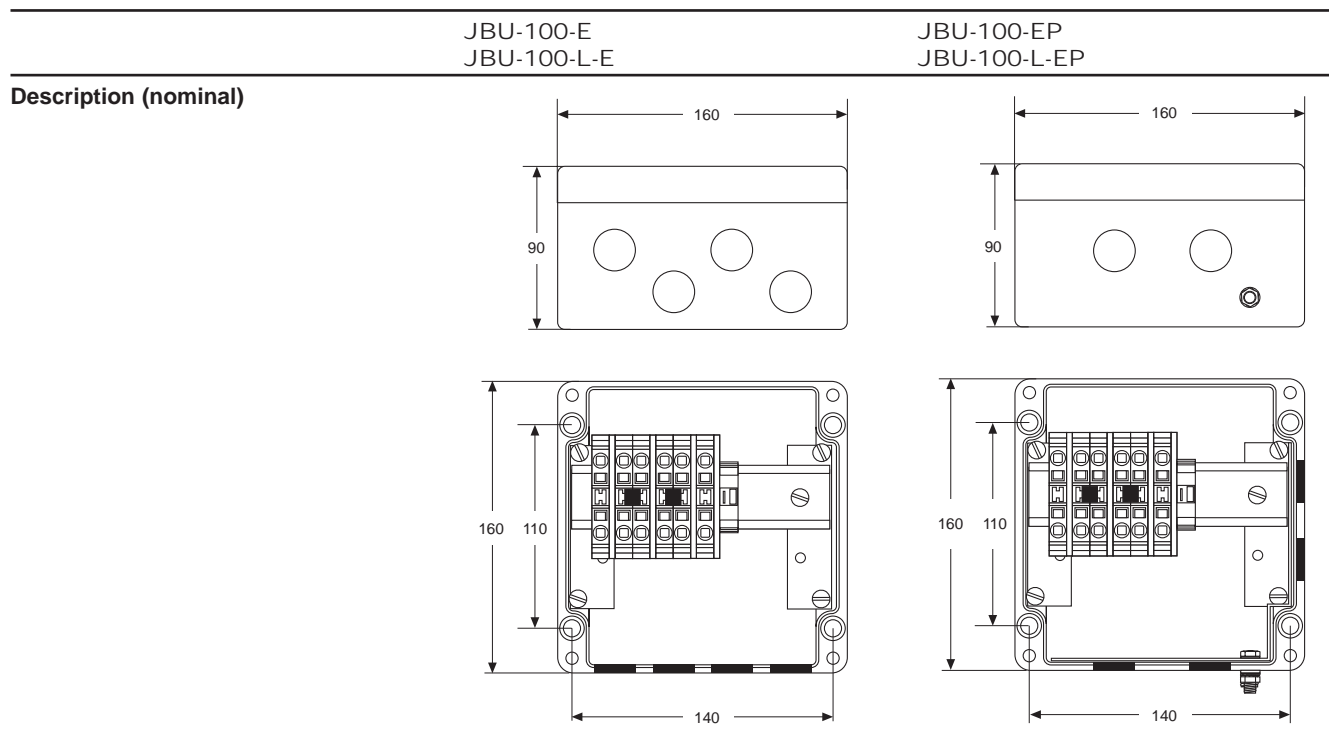
All kits are also available as a lighted version (-L). These include a unique light module with a superbright green LED that simply plugs into the terminals, and a lens in the lid. This provides indication that power is available in the box.



(JBU-100-L-E shown with light)



	JBU-100-E JBU-100-L-E	JBU-100-EP JBU-100-L-EP
<b>Description</b>	This box is for use in Europe and provides four M25 threaded entries, stopping plugs and one plastic power cable gland.	This box is for use in Europe and provides four M25 entries, an earthing plate and an external earth stud. It is designed for use with armoured power cables and metal glands.
<b>Kit contents</b>	1 junction box with terminals 1 light module (for -L only) 1 M25 gland for 8-17mm diameter power cable 2 M25 stopping plugs	1 junction box with terminals with earth plate and external earth stud 1 light module (for -L only) 2 M25 stopping plugs
<b>Approvals</b>	 II 2 G EEx e II II 2 G EEx em II (for -L only) PTB 99 ATEX 1108 U  DNV approval DNV Certificates No. E-5121 and No. E-5122	 II 2 G EEx e II II 2 G EEx em II (for -L only) PTB 99 ATEX 1108 U  DNV approval DNV Certificates No. E-5121 and No. E-5122



<b>Product specifications</b>		
Ingress protection	IP66	IP66
Entries	4 x M25	4 x M25
Min. ambient temperature	-50°C	-50°C
Terminals	WAGO 284 series (EEx e) 2 phase, 2 neutral, 2 ground	WAGO 284 series (EEx e) 2 phase, 2 neutral, 2 ground
Max. conductor size	10 mm <sup>2</sup> stranded, 10 mm <sup>2</sup> solid	10 mm <sup>2</sup> stranded, 10 mm <sup>2</sup> solid
Max. operation voltage	AC 550 V	AC 550 V
Max. current rating	40 A	40 A

<b>Materials of construction</b>		
Enclosure, lid	Glass filled engineering polymers, carbon filled, black	Glass filled engineering polymers, carbon filled, black
Lid screws	Stainless steel	Stainless steel
Lid gasket	Silicone rubber	Silicone rubber
Earth continuity plate	N/A	Steel, zinc plated, and yellow chromated

<b>Optional LED indicator light</b>		
Colour	Green	Green
Voltage rating	100-254 Vac	100-254 Vac
Power consumption	< 1 W	< 1 W

<b>Accessories</b>		
Heating cable connection kits	C25-100, C25-21	C25-100, C25-21
Insulation entry kit	IEK-25-04 or IEK-16-24	IEK-25-04 or IEK-16-24
Power cable gland	GL-36-M25 (included)	GL-38-M25-METAL (optional)
Junction box support bracket (optional)	SB-100, SB-101	SB-100, SB-101

<b>Ordering details</b>		
<b>Junction box</b>		
Part Description	JBU-100-E	JBU-100-EP
RPN (& Weight)	051976-000 (1.7 kg)	243948-000 (1.8 kg)
<b>Junction box with light</b>		
Part Description	JBU-100-L-E	JBU-100-L-EP
RPN (& Weight)	069262-000 (2.1 kg)	113974-000 (2.2 kg)