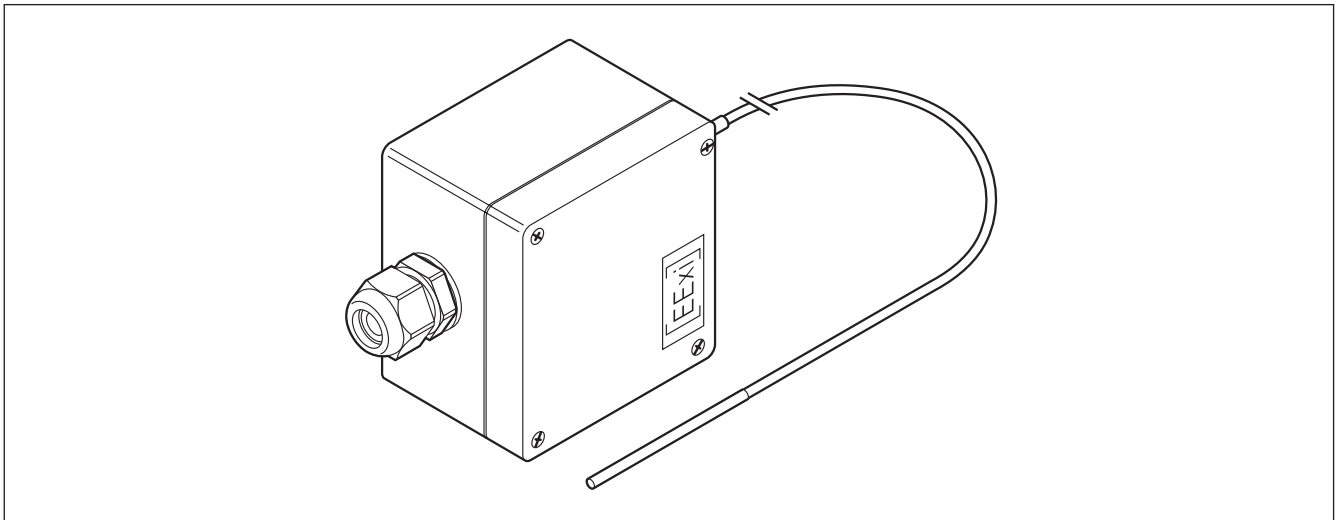


Ex 3 Wire PT100 sensor with 4 to 20 mA transmitter for hazardous area (Zone 1)

PT100 sensor connected to a 4-20 mA transmitter built in a black glass fiber reinforced polyester junction box with M20 cable gland (Blue).



Area of use	Hazardous environment Zone I
Sensor marking	Eex ia IIC T6
Sensor	
Type	Pt100, 3 wire. DIN IEC 751, Class B.
Material	extension cable and tip both stainless steel (MI).
Temperature measuring range:	-50°C to +250°C (transmitter)
Maximum exposure temp. tip	+585°C
Length	2 m.
Diameter	ca 3 mm, tip ca 5 mm
Minimum bending radius	extension cable: 20 mm, the measuring tip should not be bended
Enclosure	
Ingress protection	IP65
Material	Glass fiber reinforced polyester (black)
Dimensions	With= 80 mm Height = 75 mm Depth = 55 mm
Cable gland	M20, blue (EEx e) suitable for cable diameters ranging from 10 mm to 14 mm
Operating temperature	-20°C to +40°C
Sealing gasket material	tongue and groove system with silicone seal
Cover screws	Stainless steel M4 threaded
For pipe mounting use	JB-SB-26
Installation and connection:	
Terminals	2 screw terminals
Terminal sizing	suitable for cables from 0.5 mm ² to 1.5 mm ²
Ordering details	
Part Description	MONI-PT100-4/20MA
RPN	483281-000