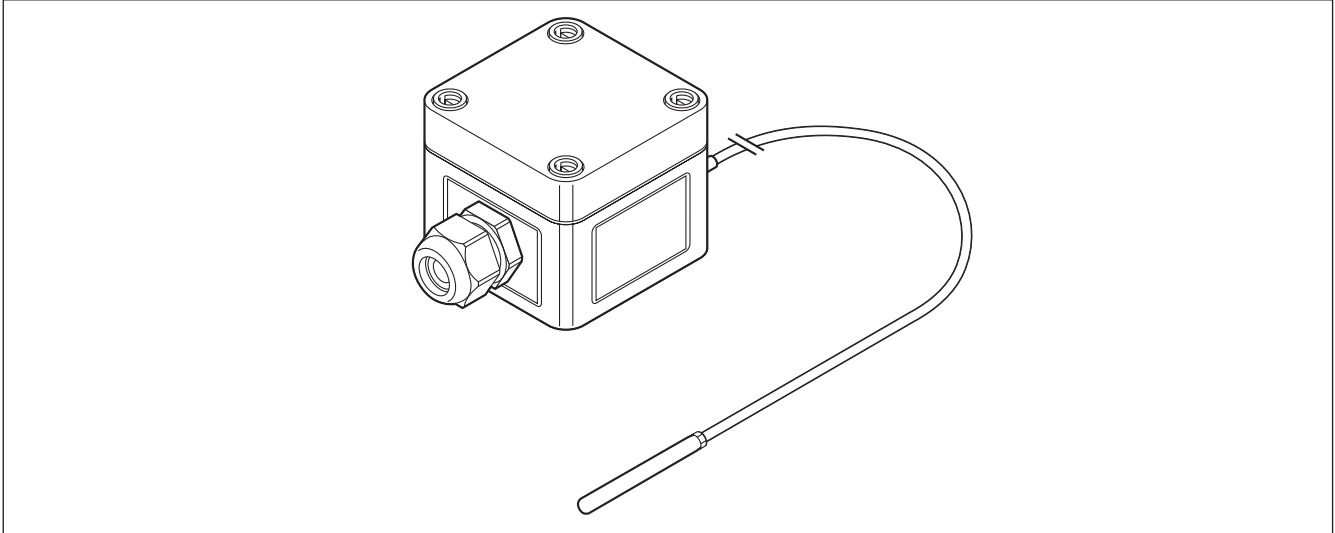


**Temperature sensor for ordinary area**

2 wire Pt100 sensor with glass fiber reinforced polycarbonate junction box for installation in ordinary area.



<b>Area of use:</b>	<b>Ordinary area</b>
sensor marking	NA
<b>Sensor</b>	
Type	Pt100-Sensor (2 wire) DIN IEC 751, Class B
Material	Tip: stainless steel Extension cable: silicone
Temperature measuring range	-50°C to +180°C
Temperature range extension cable	-50°C to +180°C (+215°C maximum 1000 hrs), max. exposure temp. tip: +400°C
Length	2 m
Diameter	extension cable ca 4.6 mm, tip ca 6.0 mm
Minimum bending radius	5 mm
<b>Enclosure</b>	
Ingress protection	IP66
Material	Glass fiber reinforced polycarbonate (gray)
Dimensions	With= 65 mm Height = 65 mm Depth = 57 mm
Cable gland	M20 (polyamide) suitable for cable diameters ranging from 10 mm to 14 mm
Operating temperature	-30°C to +80°C
Lid sealing gasket material	CFC-free Polyurethane
Cover screws	plastic
For pipe mounting use	JB-SB-26
<b>Installation and connection</b>	
Terminals	3 front entry cage clamp terminals (terminals 2 and 3 are bridged)
Terminal sizing	suitable for cables from 0.2 mm <sup>2</sup> to 4 mm <sup>2</sup>
<b>Ordering details</b>	
Part Description	MONI-PT100-NH
RPN	140910-000