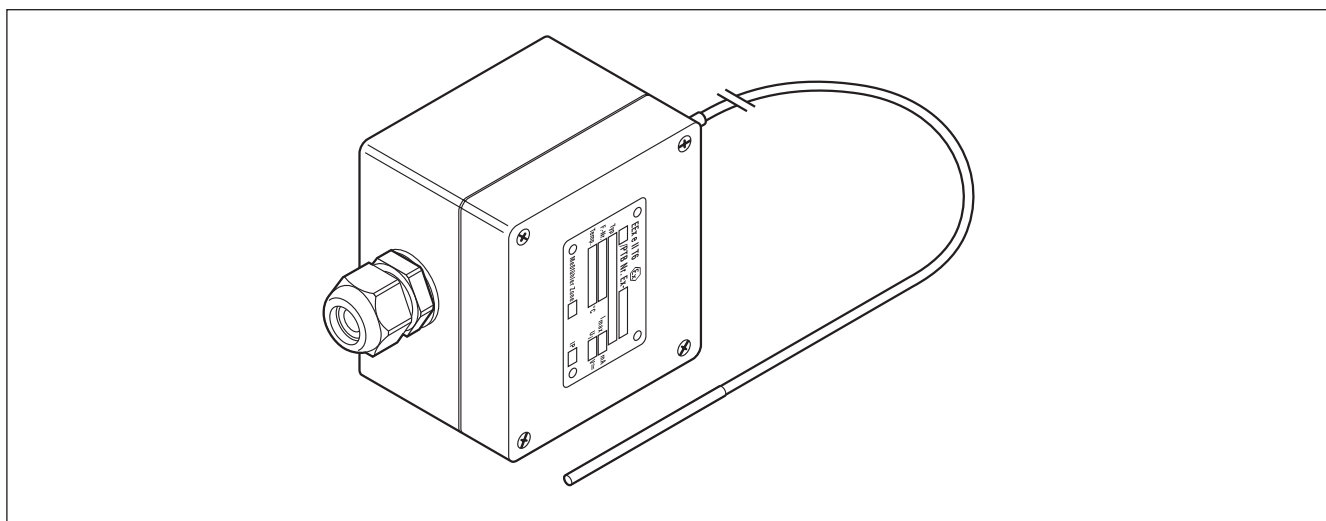


3 wire Pt100 sensor connected to a black glass fiber reinforced polyester junction box (IP65) with 4 front entry cage clamp terminals. M20 EEx e cable gland preinstalled.



<b>Area of use</b>	Hazardous environment Zone I
Sensor marking	EEx e IIT6
<b>Sensor</b>	
Type	Pt100, 3 wire. DIN IEC 751, Class B.
Material:	extension cable and tip both stainless steel (MI).
Temperature measuring range	-100°C to +500°C
Maximum exposure temp. tip	+585°C
Length	2 m
Diameter	ca 3 mm, tip ca 5 mm
Minimum bending radius	extension cable: 20 mm, the measuring tip should not be bended
<b>Enclosure</b>	
Material	Glass fiber reinforced polyester (black)
Ingress protection	IP65
Dimensions	With= 80 mm Height = 75 mm Depth = 55 mm
Cable entry	M20 ( EEx e) suitable for cable diameters ranging from 10 mm to 14 mm
Operating temperature	-40°C to +40°C
Sealing gasket material	tongue and groove system with silicone seal
Cover screws	Stainless steel M4 threaded
For pipe mounting use	JB-SB-26
<b>Installation and connection</b>	
Terminals	4 front entry cage clamp terminals
Terminal sizing	suitable for cables from 0.5 mm <sup>2</sup> to 2.5 mm <sup>2</sup>
<b>Ordering details</b>	
Part Description	MONI-PT100-EXE
RPN	967094-000