

 **Low profile splice - cold applied**

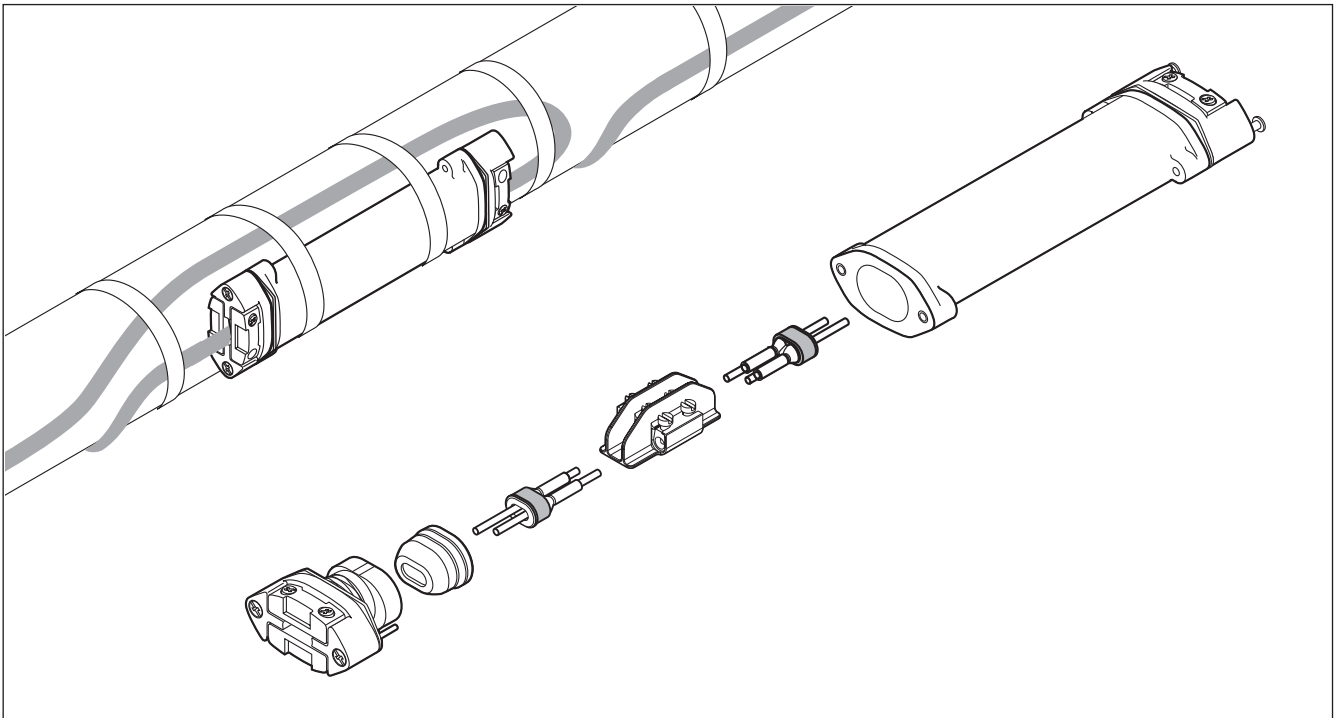
The S-150 is a cold applied low profile splice for in-line connection. This universal kit fits with all industrial heating cable types, BTV, QTVR, XTV and KTV, meaning simplified product selection and reduced inventory to stock. It can be used in applications with temperatures ranging from -50°C to 215°C . It is approved for use in hazardous areas.

The unique design of the S-150 suits the demanding requirements of the industrial

environment. The low profile housing can be installed on pipes and other surfaces. Spring loaded grommets make a first seal to maintain a water tight connection while the non-curing sealant (silicone free) used in supplied core sealer adds a second seal, providing additional protection. The rugged construction of the splice makes it resistant to impact and suitable for high temperature variations and aggressive chemical exposure. The connection is made using screw terminals. The splice is

re-enterable. The S-150 is a safe under the insulation in-line splice that can be relied upon over time.

The splice requires no heat source for installation, making maintenance work fast and easy. Each kit contains all the necessary materials to do one in-line splice connection.



S-150

Description Cold-applied in-line splice kit for use with BTV, QTVR, XTV and KTV heating cables.

Kit contents

- 1 splice housing
- 2 sealing grommets
- 2 core sealers
- 1 spacer including screw terminals
- 1 identification label

Approvals

Hazardous locations



Class I, Div. 2, Groups A, B, C, D
Class II, Div. 2, Groups F, G
Class III



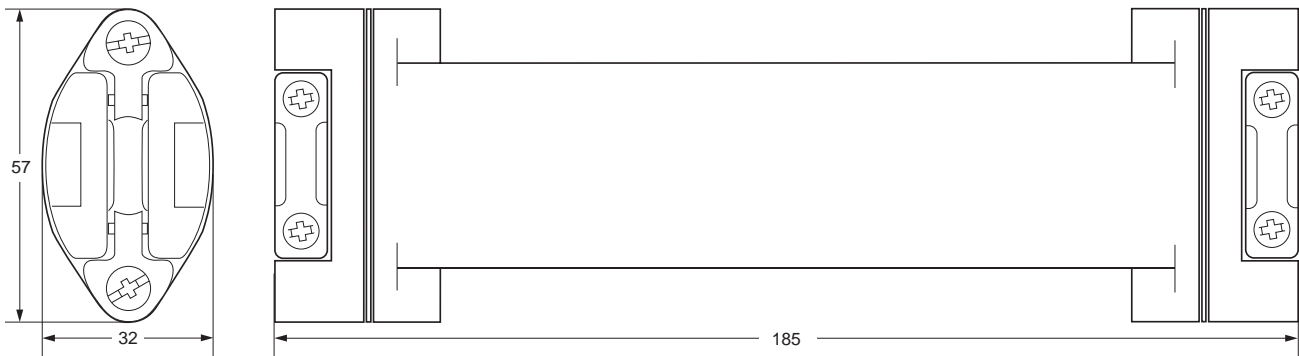
Class I, Zone 2, AEx e IIC



II 2 G EEx e II
PTB 98 ATEX 1121 U

DNV Certificate No.E-5121 and E-5122

Dimensions (in mm)



Product specifications	S-150
Heating cable capability	BTV-CR, BTV-CT, QTVR-CT, XTV-CT, KTV-CT
Ingress protection	IP66
Minimum installation temperature	-50°C
Maximum pipe temperature	Refer to heating cable specification
Connection method	Screw terminals
Maximum operating voltage	277 Vac for FM, CSA – 254 Vac for PTB
Maximum current rating	50 A heating cable circuit for FM, CSA 40 A heating cable circuit for PTB
Materials of construction	
Housing, end plate, shim and spacer	Engineering polymers, black
Sealing grommets	Silicone rubber
Screws, compression spring	Stainless steel
Ordering details	
Splice connection	S-150
RPN (& Weight)	497537-000 (0.4 kg/0.8 lb.)