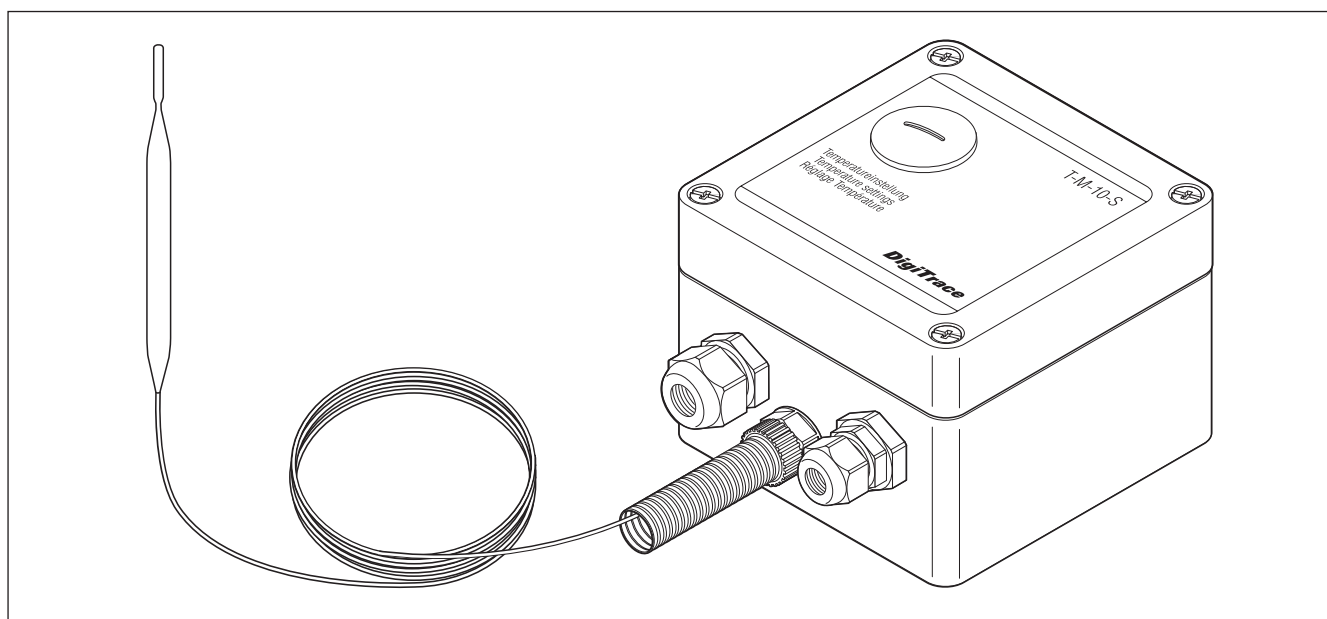


Surface sensing thermostat

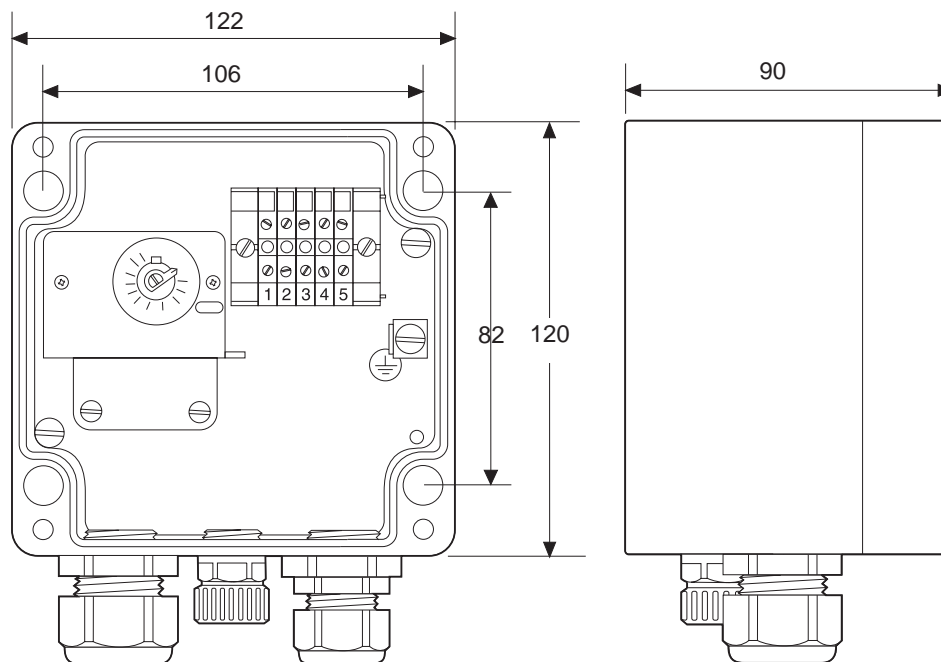
A surface sensing thermostat providing temperature control in safe areas. The maximum rated voltage is 230VAC. The switching current capacity is 16A maximum, via a single pole change over micro switch with volt-free contacts.

Temperature set point adjustment can be completed, without opening the enclosure, via a removable plug in the lid. The 2 meter long stainless steel fluid filled bulb and capillary is protected at the enclosure by a flexible conduit.

Direct connection of the heating cable is possible. The thermostat is available in 3 temperature ranges: 0–50°C; 0–200°C; 50–300°C.



	T-M-10-S/0+50C	T-M-10-S/0+200C	T-M-10-S/+50+300C
General			
Area of use	Non-Hazardous area	Non-Hazardous area	Non-Hazardous area
Product specification			
Max rated voltage (nom)	230 VAC	230 VAC	230 VAC
Temperature setting	0-50°C	0-200°C	50-300°C
Switching type	Single pole change over 100.000 cycles at 16A	Single pole change over 100.000 cycles at 16A	Single pole change over 100.000 cycles at 16A
Switching capacity	Max 16A at 230 VAC	Max 16A at 230 VAC	Max 16A at 230 VAC
Breaking capacity	3700 VA	3700 VA	3700 VA
Hysteresis / Differential range	2,5 % of temperature range	2,5 % of temperature range	2,5 % of temperature range
Accuracy	±1,5% of setpoint for temperature setting in upper third of range (measured at 22°C)		
Setting	Internal dial, through lid	Internal dial, through lid	Internal dial, through lid
Terminal size	5 x 4 mm ²	5 x 4 mm ²	5 x 4 mm ²
Ambient operating temp. range	-20/+80°C	-20/+80°C	-20/+80°C
Output parameters			
Control relay	Change-over switch	Change-over switch	Change-over switch

Dimensions in mm


	T-M-10-S/0+50C	T-M-10-S/0+200C	T-M-10-S/+50+300C
Enclosure			
Protection	IP65	IP65	IP65
Dimension	122 x 120 x 90 mm	122 x 120 x 90 mm	122 x 120 x 90 mm
Materials body and lid	Grey, polyester enclosure	Grey, polyester enclosure	Grey, polyester enclosure
Lid fixing	4 captive screws, stainless steel		
Entries	2 entries: 1 x M25 reducer M25/M20 incl. M20 gland (Ø 8-13 mm) 1 x M20 gland (Ø 8-13 mm)		
Temperature sensor			
Type	Fluid filled capillary, 2 m long		
Dimensions	Ø: 8 mm	8 mm	8 mm
length sensing element:	166 mm	78 mm	56 mm
Material	V4A Stainless Steel		
Exposure temperature	-40/+60°C	-20/+230°C	-20/+345°C
Minimum bending radius	10 mm for capillary (not for sensor)		
Mounting method			
Support bracket	SB-110 or SB-111	SB-110 or SB-111	SB-110 or SB-111

Ordering description

Ordering references:	RPN Number:
T-M-10-S/0+50C	105336-000
T-M-10-S/0+200C	337388-000
T-M-10-S/+50+300C	607672-000

Meaning of reference: T-M-10-S/+x+y

- T = thermostat
- M = mechanical thermostat
- 10 = control thermostat
- S = surface sensing
- x = min temperature of control range
- y = max temperature of control range

Connection details

